

# TECHNICAL DATA SHEET



## MACADAMIA

### Kitchen Sink Mixer with Pull Out Handset

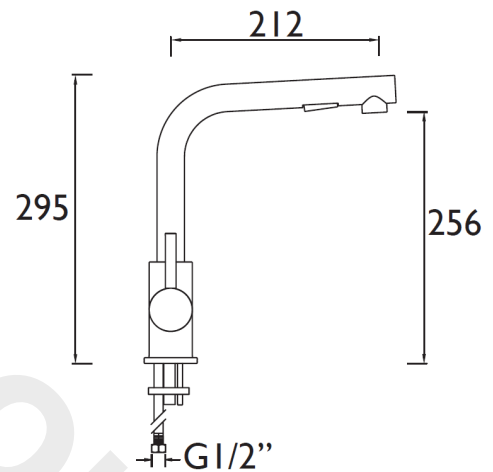
#### Product Specification

Product Code:	MCD PULLSNK C
Finish:	Chrome
Product Type:	Contemporary
Construction:	Body is of brass construction and is designed to conform to BS EN 200
Cartridge Type:	35mm Cartridge
Supply:	Suitable for high pressure systems
Inlet:	M10 x 1/2" BSP Flexible Tails
Working Pressures:	Min 1.5bar, Max 5.0bar



#### Additional Information

- Supplied with flexible connecting pipes and Isolation valves.
- Supplied with metal handle.
- Chrome plated to BS EN 248.
- Pull Out Hose allows for handset use with spray function.



#### Flow Rates (litres per minute)

System Pressure	1.5bar	2.0bar	3.0bar	4.0bar	5.0 bar
MCD PULLSNK C (Mixed)	5.3	6.4	8.0	9.4	10.7

#### Compliance / Approvals

Manufactured to comply with WRAS

Technical Advice: For further information please call 0844 7016273 or email [customercare@bristan.com](mailto:customercare@bristan.com)

Guarantee: 5 years covering manufacturing faults



Bristan, Birch Coppice Business Park, Dordon, Tamworth, B78 1SG  
Telephone: 0844 701 6274 Facsimile: 0844 701 6275  
Web Site: [www.bristan.com](http://www.bristan.com) Email: [enquire@bristan.com](mailto:enquire@bristan.com)



The information contained on this page was correct at date of issue. Fitting dimensions are provided as a guide only. Some variation may occur due to manufacturing tolerances. Bristan pursues a policy of continuing improvement in design and performance of its products and so reserves the right to change specifications without prior notice.